

ACO GULLY 157 – Grates

Part No.
408143

ACO Gully 157 Ladder grate, load class D210, grade 316 stainless steel

Product Features

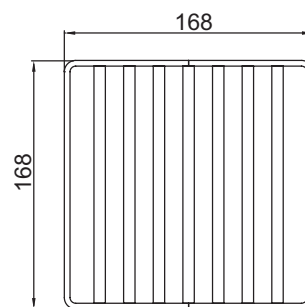
1. Load Class D210kN (AS 3996)
2. AS 3996 (Clause 3.3.5) compliant for surface openings in pedestrian areas
3. Manufactured from grade 316 stainless steel
4. Hydraulic data
 - 17,020mm² intake area



Specification Clause

The Ladder grate shall be to suit ACO Gully 157 (Part No. 408143). The grate shall be Load Class D210kN (AS 3996).

The grate shall be manufactured from grade 316 stainless steel and compliant with AS 3996 Surface openings in pedestrian areas.



ACO Polycrete Pty Ltd, Australia

Ph: 1300 765 226
www.acowexel.com.au
sales@acoaus.com.au

ACO Limited, New Zealand

Ph: 0800 448 080
www.acowexel.co.nz
sales@aconz.co.nz

© December, 2014 ACO Polycrete Pty Ltd. All reasonable care has been taken in compiling the information in this document. All recommendations and suggestions on the use of ACO products are made without guarantee since the conditions of use are beyond the control of the company. It is the customer's responsibility to ensure that each product is fit for its intended purpose and that the actual conditions are suitable. ACO Polycrete Pty Ltd. pursues a policy of continuous product development and reserves the right to amend specifications without notice.

