

## ACO GULLY 157 – Grates

Part No.  
416912

ACO Gully 157 Ladder slip resistant grate, load class R50, grade 304 stainless steel

### Product Features

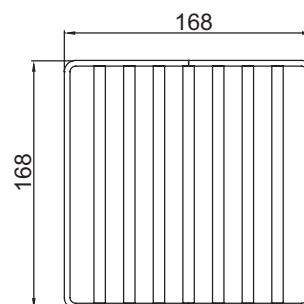
1. Load Class R50 (EN 1253), similar to class B80kN (AS 3996)
2. AS 3996 (Clause 3.3.5) compliant for surface openings in pedestrian areas
3. Slip resistant
4. Manufactured from grade 304 stainless steel
5. Hydraulic data
  - 20,200mm<sup>2</sup> intake area



### Specification Clause

The Ladder slip resistant grate shall be to suit ACO Gully 157 (Part No. 416912). The grate shall be Load Class R50 (EN 1253), similar to Class B80kN (AS 3996).

The grate shall be manufactured from grade 304 stainless steel and compliant with AS 3996 Surface openings in pedestrian areas.



#### ACO Polycrete Pty Ltd, Australia

Ph: 1300 765 226  
www.acowexel.com.au  
sales@acoaus.com.au

#### ACO Limited, New Zealand

Ph: 0800 448 080  
www.acowexel.co.nz  
sales@aconz.co.nz