

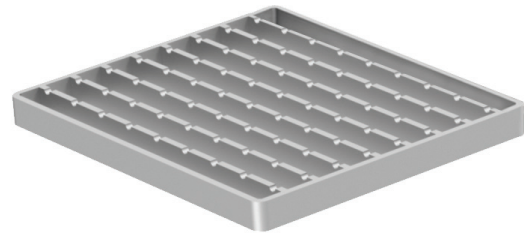
ACO GULLY 157 – Grates

Part No.
416913

ACO Gully 157 Ladder slip resistant grate, load class R50, grade 316 stainless steel

Product Features

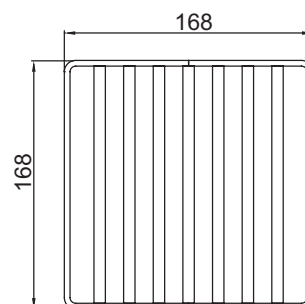
1. Load Class R50 (EN 1253), similar to class B80kN (AS 3996)
2. AS 3996 (Clause 3.3.5) compliant for surface openings in pedestrian areas
3. Slip resistant
4. Manufactured from grade 316 stainless steel
5. Hydraulic data
 - 20,200mm² intake area



Specification Clause

The Ladder slip resistant grate shall be to suit ACO Gully 157 (Part No. 416913). The grate shall be Load Class R50 (EN 1253), similar to Class B80kN (AS 3996).

The grate shall be manufactured from grade 316 stainless steel and compliant with AS 3996 Surface openings in pedestrian areas.



ACO Polycrete Pty Ltd, Australia

Ph: 1300 765 226
www.acowexel.com.au
sales@acoaus.com.au

ACO Limited, New Zealand

Ph: 0800 448 080
www.acowexel.co.nz
sales@aconz.co.nz